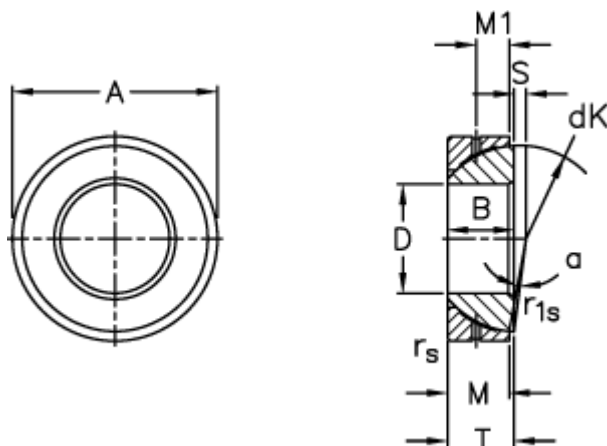


Article number: 03509140

Description: Fluro Rod end GE 140SX

## Measures



A	= 210 0 -0,030	S	= 19
B	= 45	Static load C0 (kN)	= 3450
D	= 140 0 -0,025	T	= 45 +0,35 -0,70
dK	= 198	Tilt angle	= 1
Dynamic load C (kN)	= 680	Weight	= 6330
M	= 43		
M1	= 19		
rs, r1s min	= 2.5		